

# DashMK2 & LiteMK2

## Headset Dimensions

Top : ZS44  
Bottom : ZS56

## Seatpost Diameter

30,9mm

## Shock Hardware

M8x40

## Shock Bushings

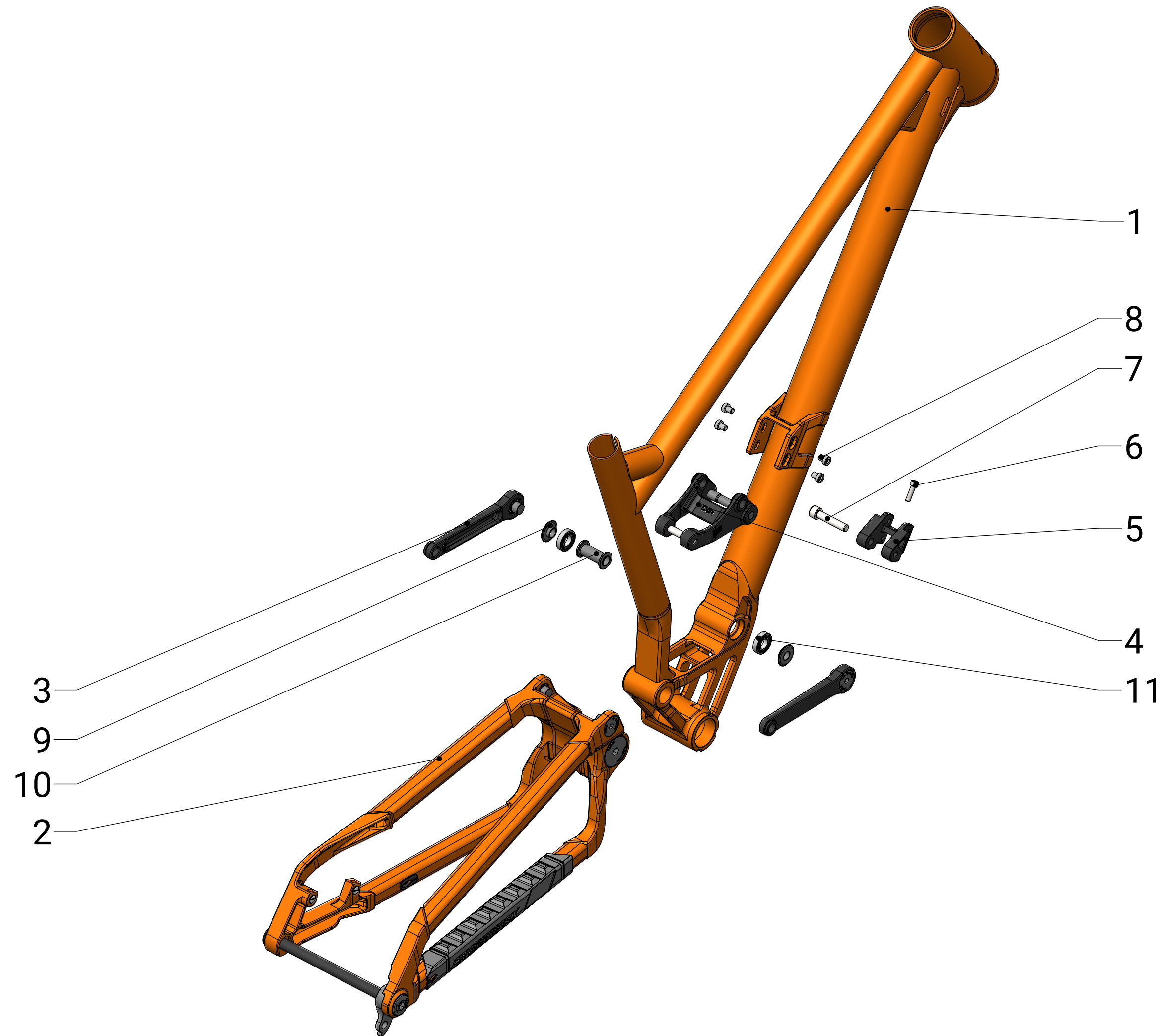
22,2 x 8mm

## Brakemount Standard

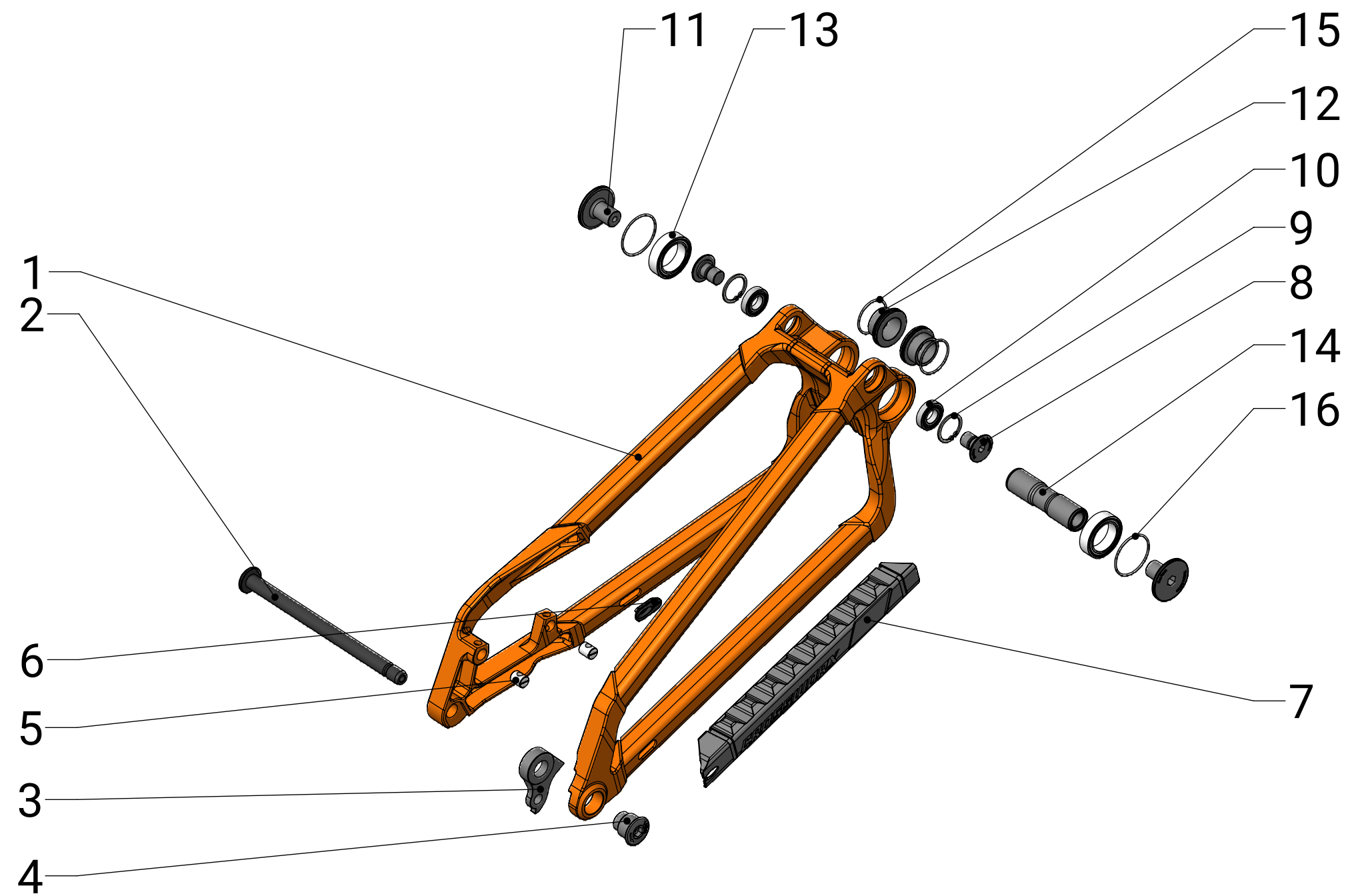
Postmount 180mm

## Minimum Insert Depth of Seatpost

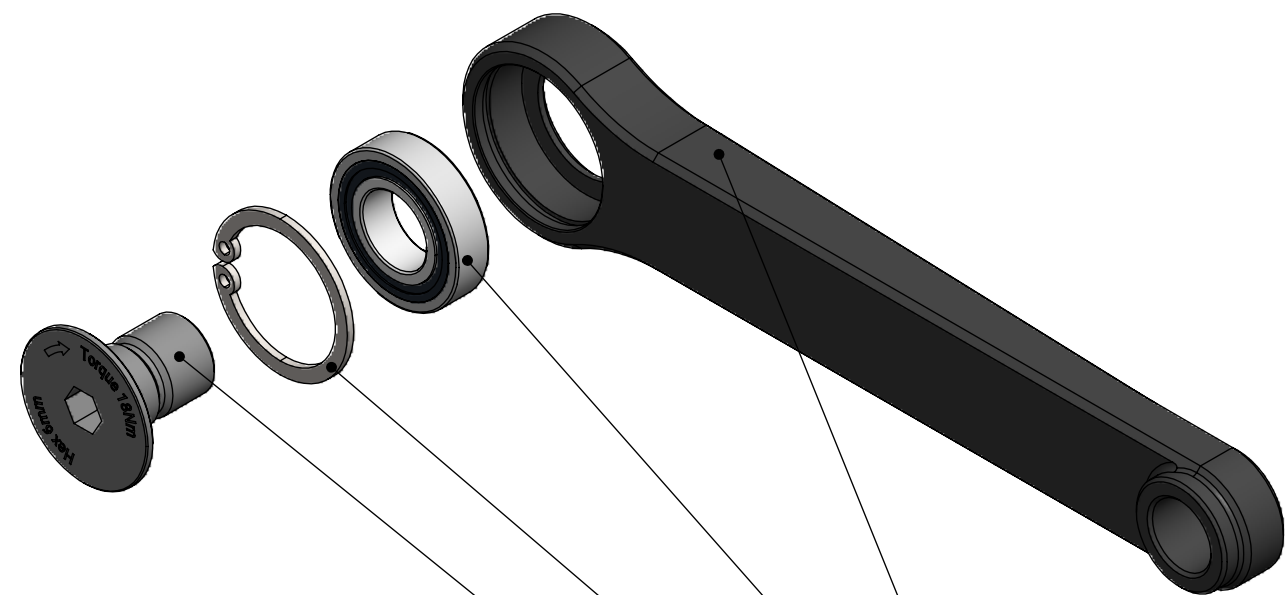
100mm



Part List - Dash/LiteMK2 : MainFrame				
Pos	Quantity	Description	Article	Torque
1	1	Main Frame		
2	1	Swing Arm Assembly		
3	2	PushRod Assembly		
4	1	Link Assembly		
5	1	Shock Mount Top	CWT-SM-T	
6	1	Shock Mount Adjustment Screw	DIN912 M5x20 A2	
7	1	Shock Screw	DIN912 M8x40 A2	10Nm
8	4	Shock Mount Screw	DIN7984 M6x10 A2	6Nm
9	2	Spacer	CWT-S	
10	1	Spacer Link	CWT-S-Link	
11	2	Bearing	61901V-2RS	



Part List - Dash/LiteMK2 - Pace290 - Trip290 : Swingarm					
Pos	Quantity	Description	Article	Torque	Adhesive
1	1	Swing Arm	CWC-Trip290-Swingarm		
2	1	Rear Axle	CWC-A-178	12Nm	
3	1	Hanger	CWC-HNG-UDH		
4	1	Hanger Screw	CWC-TS-UDH	14Nm	
5	2	Cross Bolt M6	Quergewindebolzen M6		
6	1	Plug 1x	CWC-Plug-1x		
7	1	Chainstay Guard	CWC-Dash-CS-Guard		
8	2	Bolt Pushrod	CWT-BLT-PSHRD	18Nm	Loctite High Strength
9	2	Circlip	DIN472-24x1,2		
10	2	Bearing	61901V-2RS		
11	2	Bolt Main Bearing	CWD-BLT-Main	22Nm	Loctite Medium Strength
12	2	Spacer Main Bearing	CWT-S-Main		
13	2	Bearing	3805-2RS		
14	1	Axle Main	CWD-A-Main		
15	2	Seal	O-Ring 28x1,5		
16	2	Seal	O-Ring 34x1,5		



4

5

6

7



3

2

1

Part List - Dash/LiteMK2 : Pushrod & Link Assembly					
Pos	Quantity	Description	Article	Torque	Adhesive
1	1	Link	CWD-MK2-Link		
2	1	Shock Screw	DIN912 M8x40 A2	10Nm	
3	1	Axle Link	CWT-A-Link	18Nm	Loctite High Strength
4	1	Pushrod	CWD-PSHRD		
5	2	Bearing	61901V-2RS		
6	1	Circlip	DIN472-24x1,2		
7	1	Bolt Pushrod	CWT-BLT-PSHRD	18Nm	Loctite High Strength