

CW TRIP290 & MLT

Headset Dimensions

Top : ZS44
Bottom : ZS56

Seatpost Diameter

30,9mm

Shock Hardware

M8x40

Shock Bushings

22,2 x 8mm

Brakemount Standard

Postmount 180mm

Motormount Standard

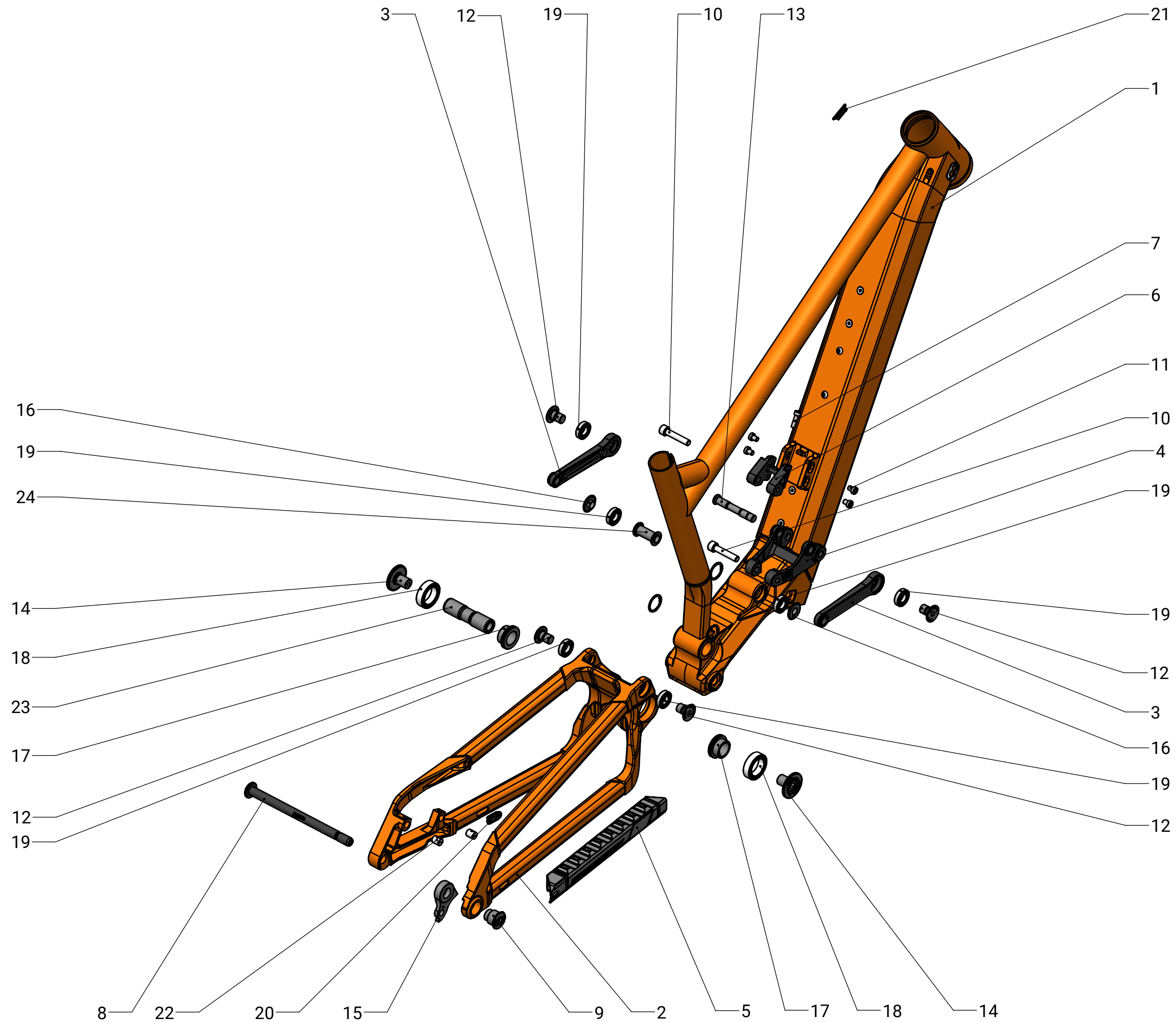
Bosch Unified Upper

Minimum Insert Depth of Seatpost

100mm

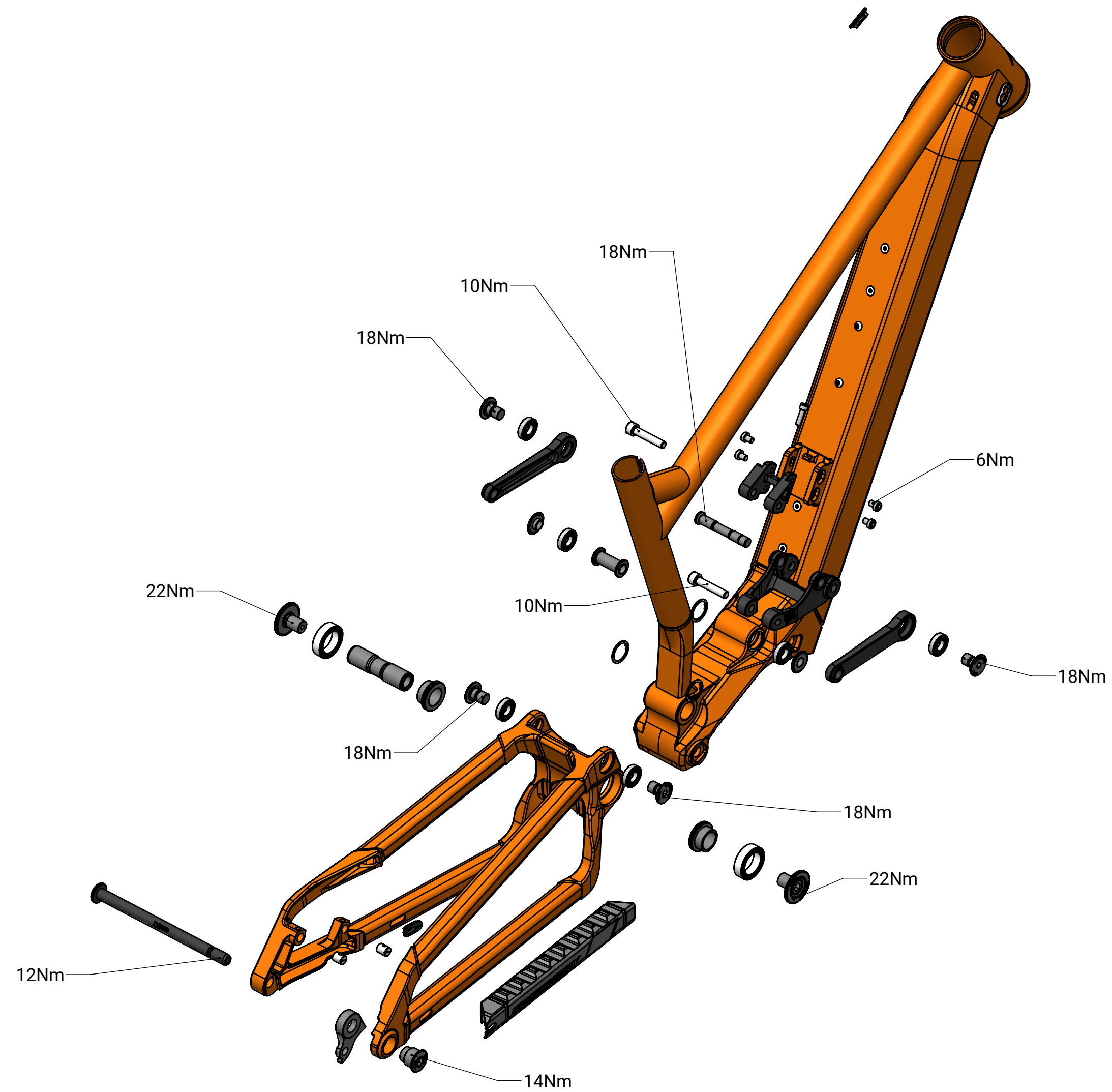
Suspension Setup

Fork Travel	140-160mm
Fork Length	551-571mm
Shock Length	210x55mm

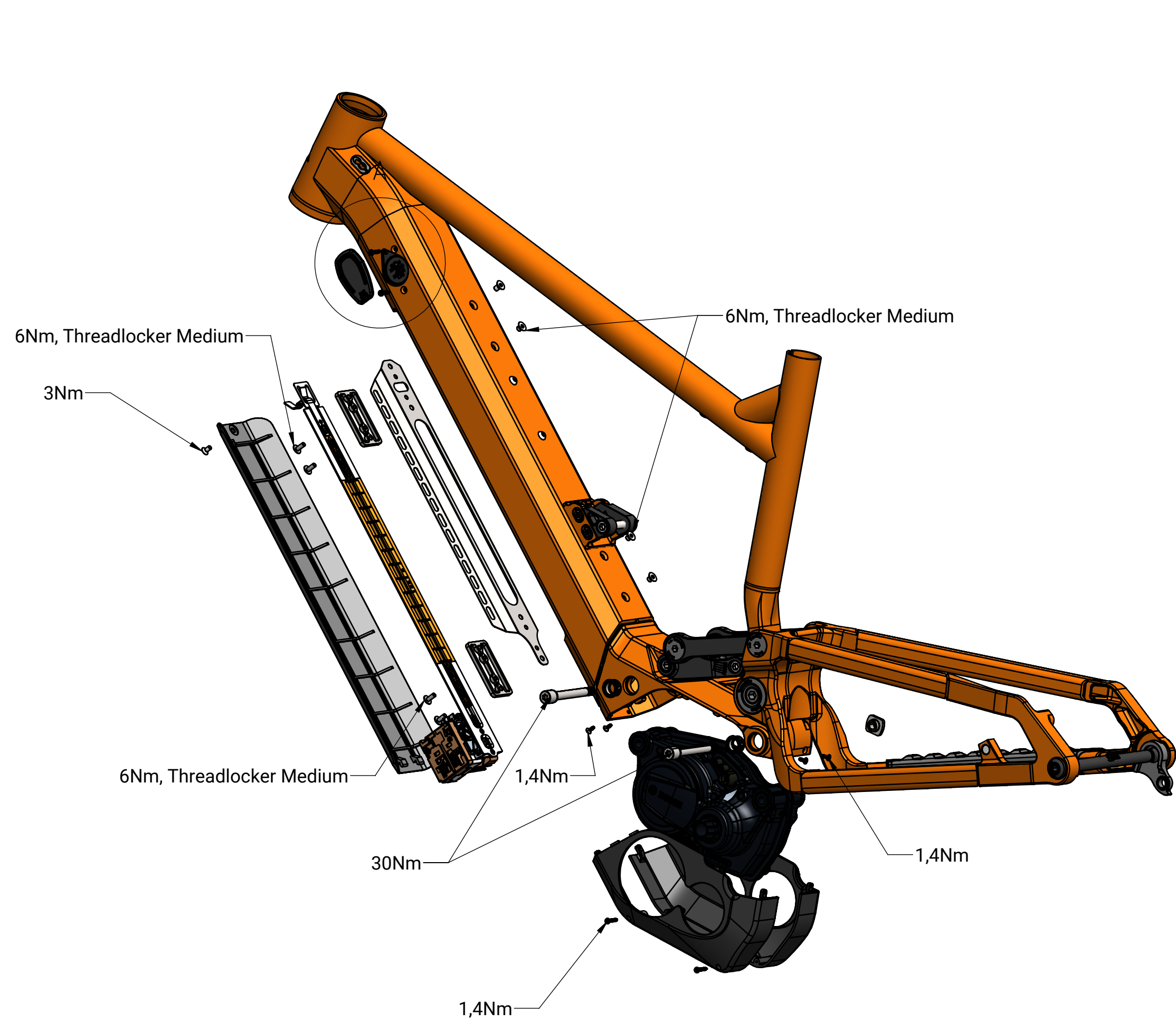


Pos	Quantity	Part
1	1	Main Frame
2	1	Swing Arm
3	2	PushRod
4	1	Link
5	1	Chainstay Protector
6	1	Shock Mount
7	1	
8	1	Rear Axle 178mm
9	1	Hanger Screw UDH
10	2	Shock Screw
11	4	M6x8 Screw
12	4	Bolt Pushrod
13	1	Axle Link
14	2	Bolt Main Bearing
15	1	Hanger UDH
16	1	Spacer Link
17	2	Spacer Main Bearing
18	2	Bearing 3805-2RS
19	6	Bearing 61901V-2RS
20	1	Plug 1x
21	2	Plug 2x
22	2	Cross Bolt M6
23	1	Axle Main
24	1	Spacer Link

CW TRIP290 & MLT



CW TRIP290 & MLT



A (1 : 1)

